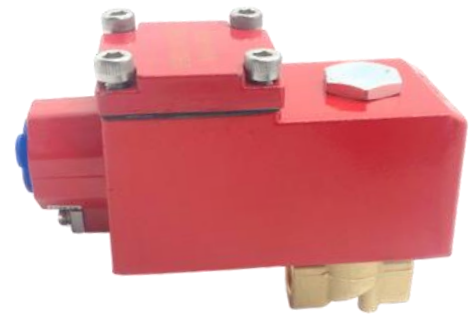
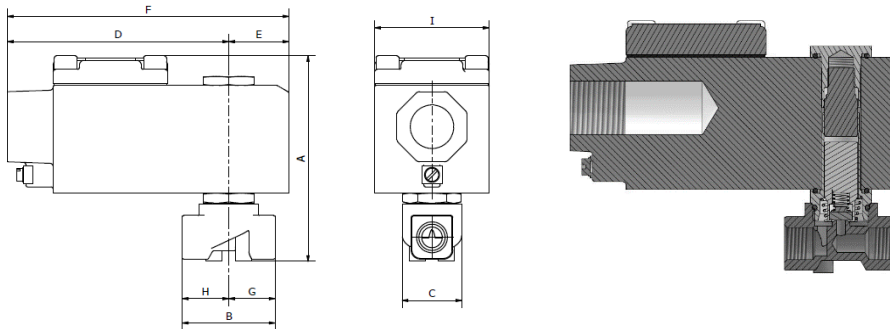


V. TYPE T. VALV.	DIM. A QUOTA A	DIM. B QUOTA B	DIM. C QUOTA C	DIM. D QUOTA D	DIM. E QUOTA E	DIM. F QUOTA F	DIM. G QUOTA G	DIM. H QUOTA H	DIM. I QUOTA I
R2AC G1/8"	90	40	26	97	27	123	20	20	50
R2AC G1/2"	90	40	26	97	27	123	20	20	50
R2AC G3/8"	90	50	25	97	27	123	25	25	50
R2AC G17"	90	58	25	97	27	123	29	29	50



2/2 Serie R2AC-EX Normally Close ATEX Exd

CODE	Connection G ISO 228	Orifice mm	Kv m³/h	Differential Pressure (bar)			Coil		Seal	Temp. Range °C
				Min	Max		Series	Width (mm)		
					AC (*)	DC (*)				
R2ACCAG#12/EX/ Coil	1/8"	1,2	0.05	0	60	60	50Ax	50	NBR=B	See Coil Datasheet Specs.
R2ACCAG#25/EX/ Coil		2,5	0.15	0	15	15				
R2ACCAG#30/EX/ Coil		3	0.25	0	10	10				
R2ACCBG#12/EX/ Coil	1/4"	1,2	0.05	0	60	60			EPDM=E	
R2ACCBG#30/EX/ Coil		3	0.25	0	10	10				
R2ACCBG#45/EX/ Coil		4,5	0.41	0	3,5	3,5				
R2ACCCG#30/EX/ Coil	3/8"	3	0.25	0	10	10			FKM=V	
R2ACCCG#45/EX/ Coil		4,5	0.41	0	3,5	3,5				
R2ACCDG#30/EX/ Coil	1/2"	3	0.25	0	10	10			PTFE=P	
R2ACCDG#45/EX/ Coil		4,5	0.41	0	3,5	3,5				

: Please select the sealing type required (*) Performance with voltage tolerance +/-10%
 Example: R2ACCBGV30/EX/50A1: ISO G1/4" FKM
 Coil 24V DC

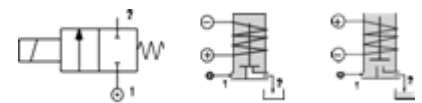
Coils

SERIE	Coil P/N	Voltage	Nominal Power			Electrical connection	Connectors
			AC VA Inrush	AC VA Holding	DC Watt		
Series 50Ax Width 50mm	50A1	24V DC/AC	-	-	8	TERMINAL BOX	1/2NPT cable Gland (not included)
	50AD	110V DC/AC	-	-	8		
	50AE	230V DC/AC	-	-	8		

Other voltages available on demand.

Atex protection class:

Ex II 2GD Ex db IIC T6/T5 Gb
 Ex tb IIIC T80°C/T95°C Db, IP66/IP67
 T122 ATEX 278 X
 -40°C<Ta<60°C FOR T6
 -40°C<Ta<70°C FOR T5



DESCRIPTION

- Solenoid valve 2 ways, direct acting type.
- Brass body CW617N.
- Switching-On time 18ms.
- Switching-Off time 23ms.
- ATEX Protection Coil Exd

CONSTRUCTION

- Body: Brass CW614N
- Armature tube: Stainless steel Aisi 303
- Plunger and core: Stainless steel 430Fr
- Springs: Stainless steel Aisi 302
- Seal material: NBR - FKM - EPDM - PTFE
- Electrical Housing: Aluminum Epoxy Resin Painted

FEATURES

- Maximum allowable pressure: 100bar*
- Maximum fluid viscosity: 27cSt (mm2/s)
- Ambient temperature:
Pls refer to the coil 50Ax datasheet available on R2G Fluidics website.
- Protection class: IP66/IP67
- Surge suppressor diode included

OPTIONS

- /R: Stainless steel orifice
- ATEX / IECEx system available on demand
- ATEX housing in AISI 316 on demand

SPARE PARTS

Not available. Repair service available at R2G Fluidics production center.